

## MAK 62/30

For currents from 50A to 800A.

Type: ring/busbar

Standards: acc. to BS 3938, EN 60044-1 and DIN 42600.

### Technical data:

<b>Class of accuracy:</b>	0.2 ... 3 (see table).
<b>Rated burden:</b>	max. 15 VA (see table).
<b>Rated voltage:</b>	720 V.
<b>Rated frequency:</b>	50-60 Hz.
<b>Rated sec. current:</b>	5 A (or 1 A on request).
<b>Security factor:</b>	<b>FS 5</b> FS10
<b>Working temperature range:</b>	-20 ... +45°C.
<b>High voltage test:</b>	4 kV <sub>eff</sub> , 50 Hz, 1 min.
<b>Insulation class:</b>	E (max. 120°C)
<b>Protection:</b>	IP 00.
<b>Case:</b>	non-flammable plastic, UL 94 V-0.



Rated primary current $I_n$	Acc. cl.	Type: MAK 62 / 30					
		Busbar hole 31x11 mm (see fig.)					
		Rated burden (VA)					
		1	1.5	2.5	3.75	5	7.5
50 A	0.5		x				
	1			x			
	3						
60 A	0.5		x				
	1			x			
	3						
75 A	0.5		x				
	1				x		
	3						
80 A	0.5		x				
	1				x		
	3						
100 A	0.2	x Δ	x				
	0.5			x			
	1					x	
120 A	0.5			x			
	1				x		
	3					x	
125 A	0.2	x Δ		x			
	0.5				x		
	1					x	
150 A	0.2		x Δ				
	0.5				x		
	1					x	
	3						x

Rated primary current $I_n$	Acc. cl.	Type: MAK 62 / 30						
		Busbar hole 31x11 mm (see fig.)						
		Rated burden (VA)						
		1,5	2,5	3,75	5	7,5	10	15
200 A	0.2	x Δ	x Δ					
	0.5			x	x			
	1			x	x	x		
250 A	0.2	Δ	Δ	x	x			
	0.5			x	x			
	1			x	x	x		
300 A	0.2	x Δ	x Δ	x	x	x		
	0.5			x	x			
	1			x	x	x	x	
400 A	0.2	x Δ	x Δ	x Δ	x			
	0.5			x	x	x		
	1			x	x		x	
500 A	0.2		Δ	x Δ	x Δ			
	0.5			x	x		x	
	1			x	x		x	
600 A	0.2		Δ	x Δ	x Δ	x		
	0.5			x	x		x	x
	1			x	x		x	x
750 A	0.2		Δ	x Δ	x Δ		x	
	0.5			x	x		x	x
	1			x	x		x	x
800 A	0.2				x Δ		x	
	0.5				x		x	x
	1				x		x	x

Δ = 0,2S

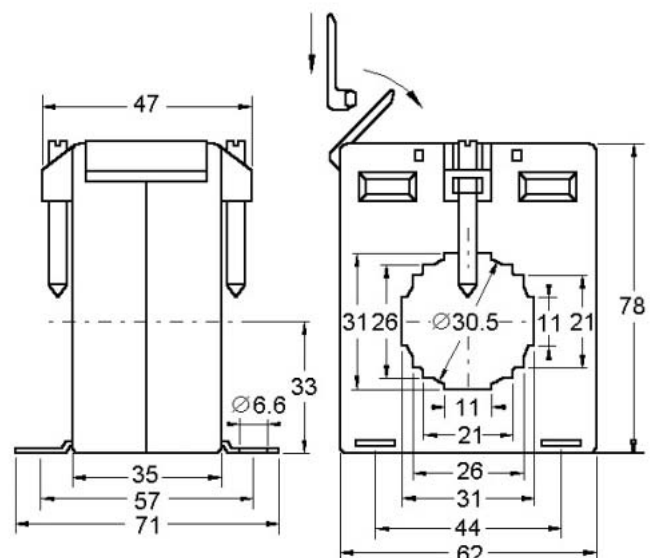
### Order specification:

- Ring-type current transformer.
- Class of accuracy: 0.5
- Rated primary current: 300 A.
- Rated secondary current 5 A
- Rated burden 5 VA
- Busbar dimension: 30x10 mm.

<b>MAK 62/30</b>	<b>300/5A</b>	<b>Cl. 0,5</b>	<b>5VA</b>
------------------	---------------	----------------	------------

### Note:

- On request orders for types different from table are accepted.
- On request order for clip for DIN EN 50 022 rail are accepted.
- Cat. No. 12-3044-94.





## MAK62/30d

These current transformers can be used two range by re-switching the secondary windings.

Rated primary current $I_n$	Ac. cl.	Type: MAK 62/30d		
		Busbar hole 31x11 mm (see fig.)		
		Rated burden (VA)		
		5-2,5	10-5	15-10
200-100A	0.5 1	x		
300-150A	0.5 1		x	
400-200A	0.5 1	x	x	
500-250A	0.5 1		x	
600-300A	0.5 1		x	x
800-400A	0.5 1		x	x

### Order specification:

- Two range current transformer.
- Class of accuracy: 1
- Rated primary current: 200-100 A
- Rated secondary current 5A
- Rated burden: 5-2,5 VA
- Busbar dimension: 30x10mm

<b>MAK 62/30d</b>	<b>200-100/5A</b>	<b>Cl. 1 5-2,5VA</b>
-------------------	-------------------	----------------------