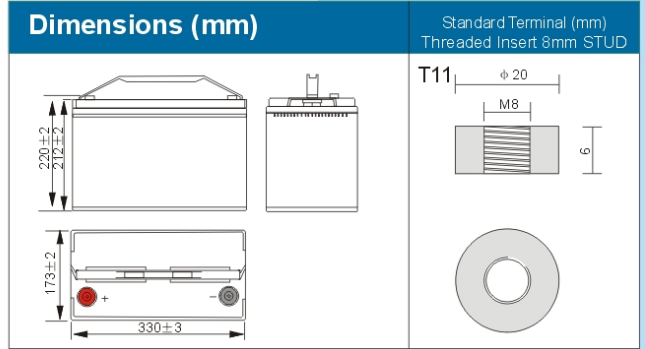


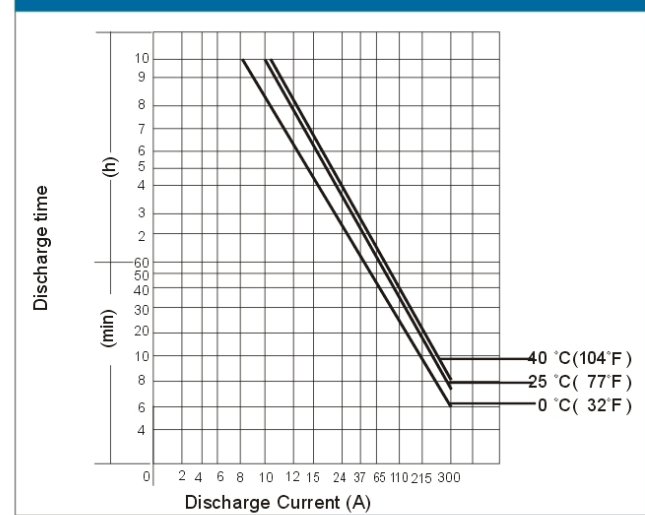


DJM12100 (12V100AH)



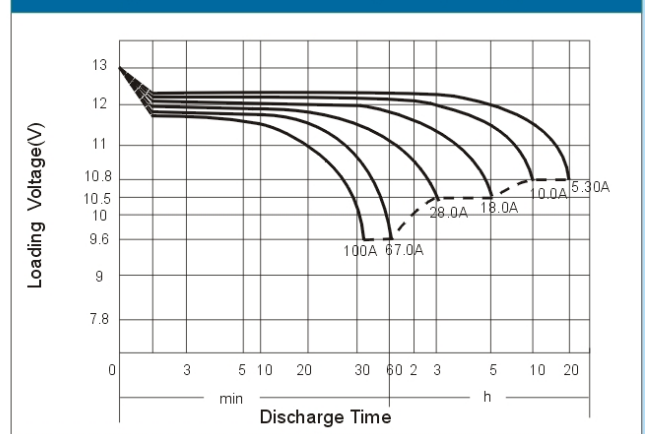
Physical Specification		
Nominal Voltage		12V
Nominal Capacity (10HR)		100AH
Dimension	Length	330±3mm (12.99 inches)
	Width	173±2mm (6.81 inches)
	Container Height	212±2mm (8.35 inches)
	Total Height (with Terminal)	220±2mm (8.66 inches)
Weight		Approx 30.0kg (66.15lbs)
Standard Terminal		Threaded Insert 8mm STUD

Discharging Current & Discharge Duration Time



Electrical Specification					
Rated Capacity	20 hour rate (5.30A)	106.0 AH	Constant-Voltage	Cycle	Initial Charging Current less than 30.0A. Voltage 14.4V~15.0V at 25°C (77°F) Temp. Coefficient -30mV/°C
	10 hour rate (10.0A)	100.0 AH			
	5 hour rate (18.0A)	90.0 AH			
	3 hour rate (28.0A)	84.0 AH			
	1 hour rate (67.0A)	67.0 AH			
Capacity affected by Temperature	40°C (104°F)	103%	Charge	Standby	No limit on Initial Charging Current Voltage 13.5V~13.8V at 25°C(77°F) Temp. Coefficient -20mV/°C
	25°C (77°F)	100%			
	0°C (32°F)	86%			

Discharge Characteristics (25°C, 77°F)



Constant Current (Amp) and Constant Power (Watt) Discharge Table (25° C, 77° F)

Amp/Watt/Cell	Time(minute)	10	15	20	30	45	60	120	180	240	300	360	480	600	1200
	Final voltage	1.30	1.30	1.30	1.60	1.60	1.67	1.70	1.75	1.75	1.75	1.75	1.80	1.80	1.80
A		265.0	201.5	162.5	125.0	87.5	67.0	37.5	28.0	21.5	18.0	15.4	12.0	10.0	5.30
W		498.2	381.8	318.5	235.9	173.9	132.6	74.6	55.8	42.9	35.9	30.8	23.9	20.0	10.60